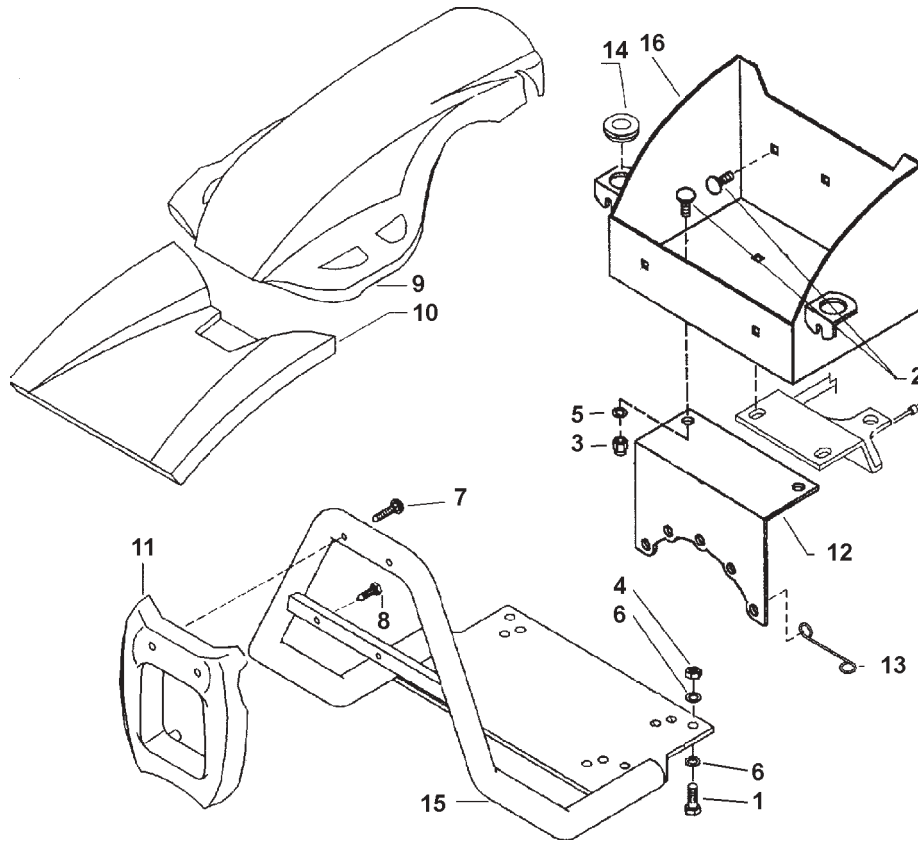
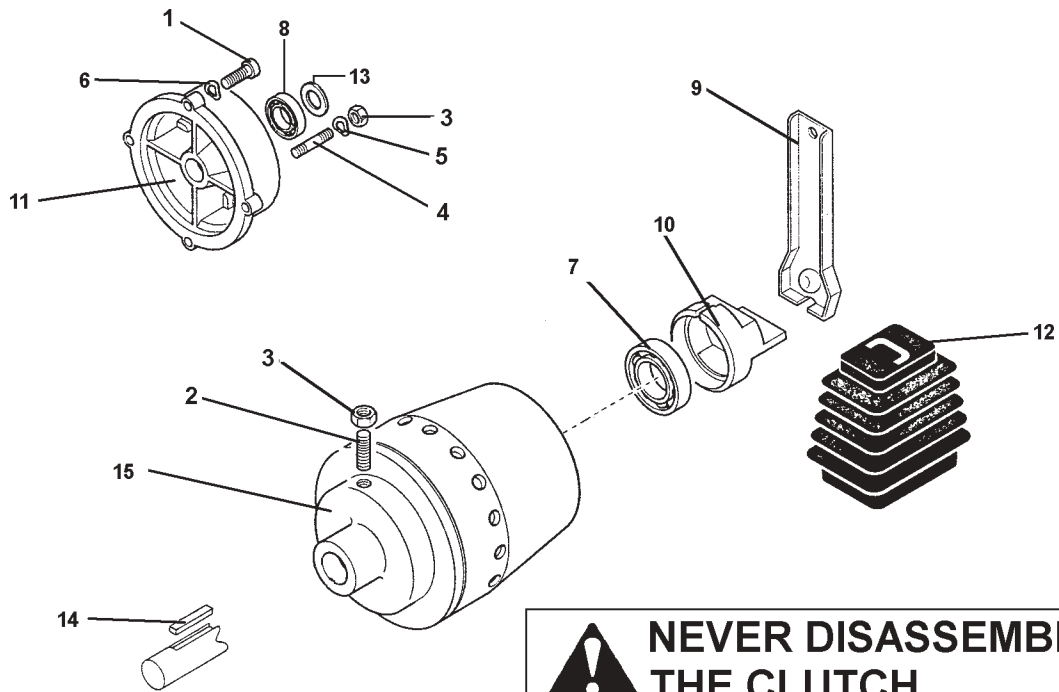


A M E R I C A

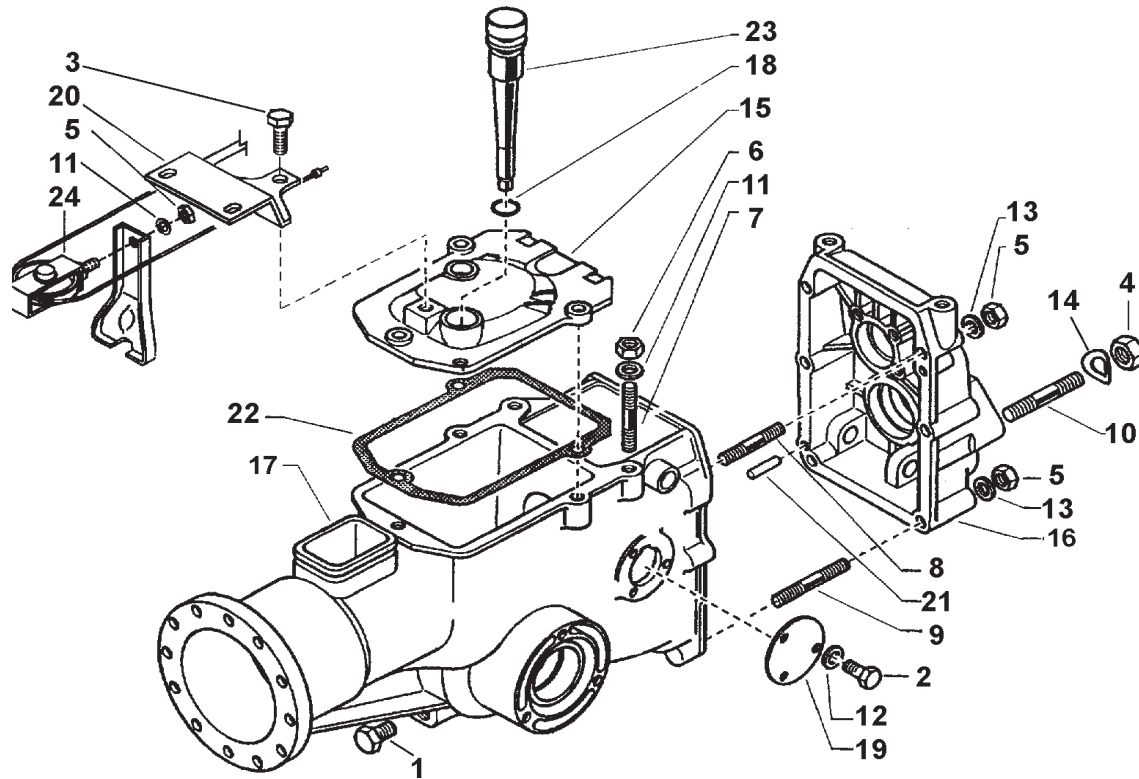


ID	PART NO	QTY	DESCRIPTION	ID	PART NO	QTY	DESCRIPTION
1	311.12154		CAP SCREW, M8X40 UNI 5739-8G	11	552.57622		FRONT BUMPER GUARD
2	311.21558		BOLT M6 X 16	12	561.57393		BATTERY/TOOLBOX SUPPORT
3	312.41060		NUT, LOCK M6	13	580.48035		SUPPORT, GAS CABLE SHEATH
4	312.41080		NUT, LOCK M8	14	580.56991		CAP
5	314.11064		WASHER, FLAT M6 4X12	15	590.56113		BUMPER
6	314.11084		WASHER, FLAT M8 4X17	16	590.57390		TOOLBOX
7	315.10099		SCREW, SELF TAPPING M6.3X38				
8	315.10100		SCREW, SELF TAPPING M6.3X19				
9	552.57620		COVER, HANDLEBAR				
10	552.57621		GUARD, LOWER				

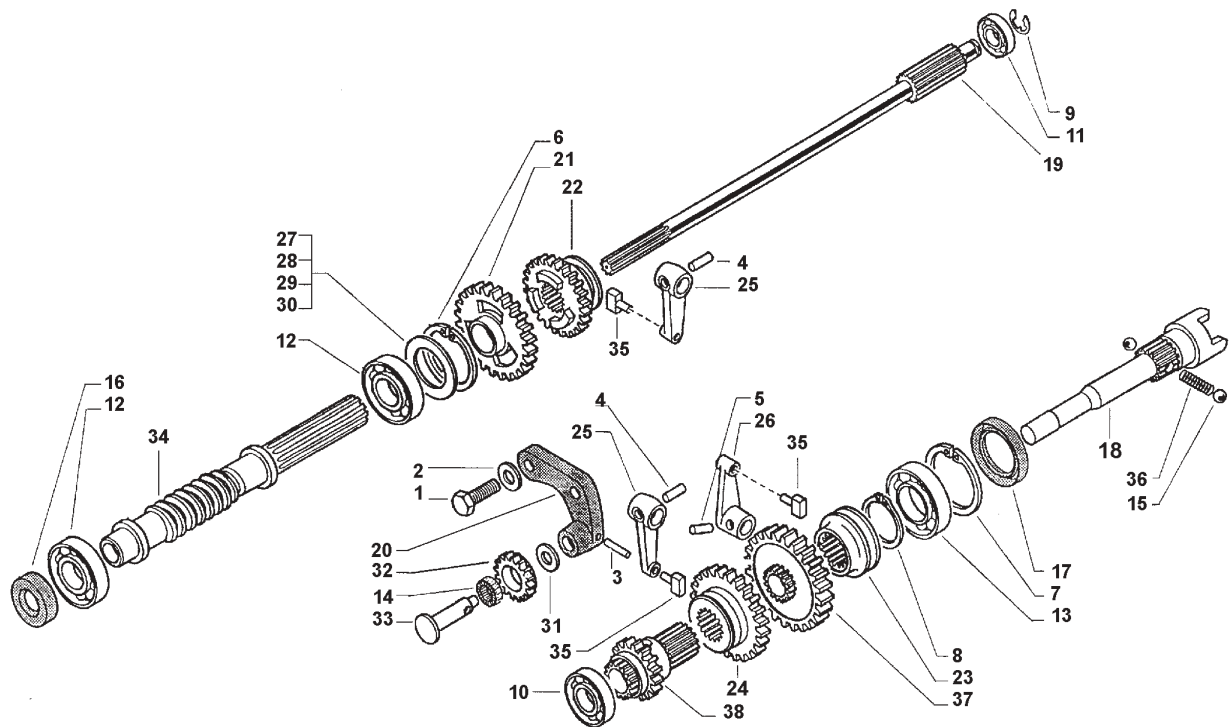


⚠ NEVER DISASSEMBLE THE CLUTCH

ID	PART NO	QTY	DESCRIPTION	ID	PART NO	QTY	DESCRIPTION
1	311.00015		CAP SCREW, 3/8X1"	11	531.56150		FLANGE
2	311.00787		CAP SCREW, M8X35	12	551.57609		BOOT
3	312.11080		NUT, M8	13	563.47484		WASHER
4	313.12088		STUD, M8X40X14X14	14	563.49782		KEY
5	314.23084		WASHER, WAVEY M8	15	592.56257		CLUTCH, 11HP TO 13HP HONDA
6	314.23105		WASHER, WAVEY 3/8"				
7	371.12173		BEARING, M17X40X12				
8	371.12233		BEARING, M30X55X13				
9	509.56262		LEVER, RECOIL START				
10	524.47896		CONE PUSHER				



ID	PART NO	QTY	DESCRIPTION	ID	PART NO	QTY	DESCRIPTION
1	300.40001		PLUG	16	531.56332		REAR COVER
2	311.11090		SCREW, COUNTER SUNK, M6X16	17	531.56346		GEAR BOX CASE
3	311.12210		CAP SCREW	18	551.02678		"O" RING
4	312.21121		NUT, M12X1.25	19	561.47520		SIDE COVER
5	312.41080		NUT, SELF LOCKING M8	20	561.57394		PLATE
6	312.41085		NUT	21	580.43053		PARALLEL PIN
7	313.12082		STUD, M8X38X14X20	22	580.43117		GASKET, COVER
8	313.12086		STUD, M8X56X20X12	23	590.15425		CAP WITH DIP STICK
9	313.12094		STUD, M8X68	24	590.56258		PULLEY ASSEMBLY
10	313.12125		STUD, M12X1.25X12X64				
11	314.21083		SUPER WASHER 8				
12	314.22064		WASHER, LOCK M6.4				
13	314.23084		WASHER, LOCK M8.4				
14	314.23130		WASHER, LOCK, M13				
15	531.43875		GEARBOX COVER				



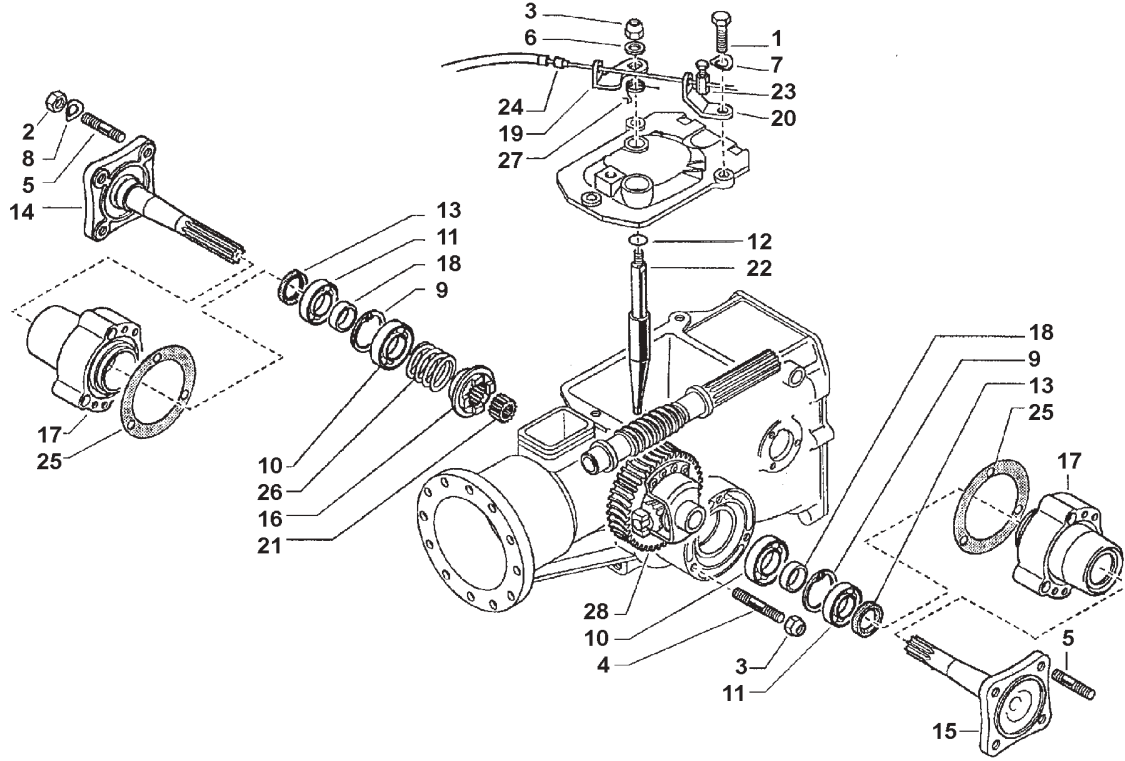
ID	PART NO	QTY	DESCRIPTION	ID	PART NO	QTY	DESCRIPTION
1	311.12211		SCREW, M10X30	21	524.56354		FIRST GEAR
2	314.21101		SUPER WASHER 10	22	524.56361		SLIDER GEAR
3	342.13024		LOCKING PIN, 4X25	23	524.56362		PTO SLIDER
4	342.13060		LOCKING PIN, 6X24	24	524.56370		SLIDER, REVERSER
5	342.13061		LOCKING PIN, 6X20 SPIRAL	25	524.56389		LEVER, SLIDER
6	351.11052		CIRCLIP, INTERNAL	26	524.56390		LEVER, PTO ENGAGEMENT
7	351.11055		CIRCLIP, INTERNAL	27	563.56328		SHIM, 1.5MM
8	351.21031		CIRCLIP, EXTERNAL	28	563.56329		SHIM, 1.6MM
9	352.11120		RETAINING RING	29	563.56330		SHIM, 1.7MM
10	371.11151		BEARING, 15X35X11	30	563.56331		SHIM, 1.8MM
11	371.11152		BEARING, 15X42X13	31	563.56348		WASHER
12	371.11255		BEARING, 25X52X15	32	564.56347		REVERSE GEAR
13	371.12229		BEARING, 30X55X13	33	564.56351		PIN, REVERSE GEAR
14	373.20120		BEARING, 12X15X10	34	564.56475		WORM GEAR
15	379.10832		BALL, 1/4"	35	580.43086		SHOE
16	382.11500		OIL SEAL, 15X28X6	36	580.56391		SPRING, PTO BALLS
17	382.13800		OIL SEAL, 38X55X7	37	590.56365		PTO GEAR
18	524.56335		PTO SHAFT	38	590.56384		GEAR
19	524.56339		MAIN SHAFT				
20	524.56349		REVERSER BRACKET				

732

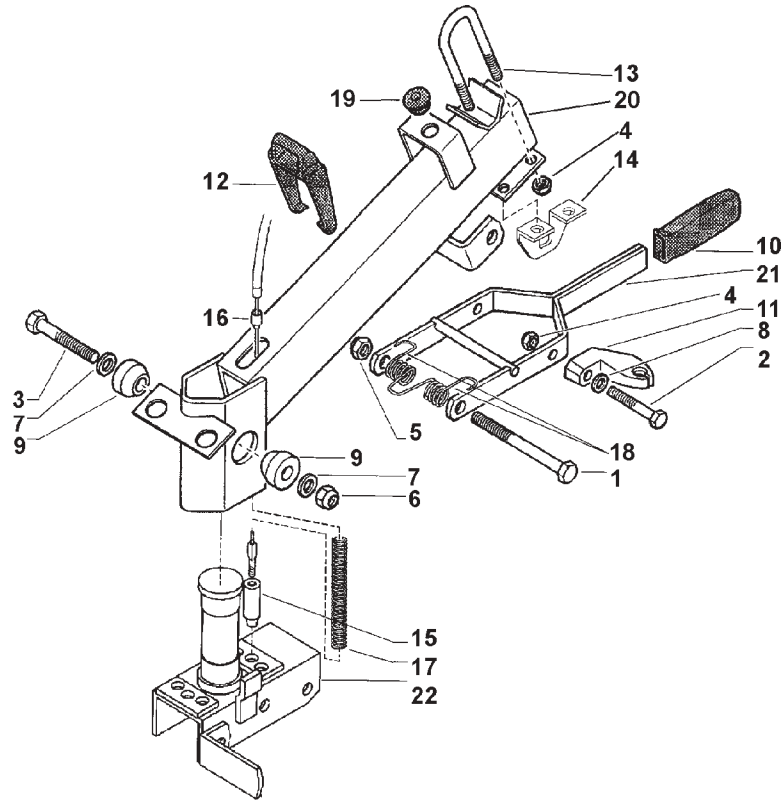
Differential

Serial Number Range ALL

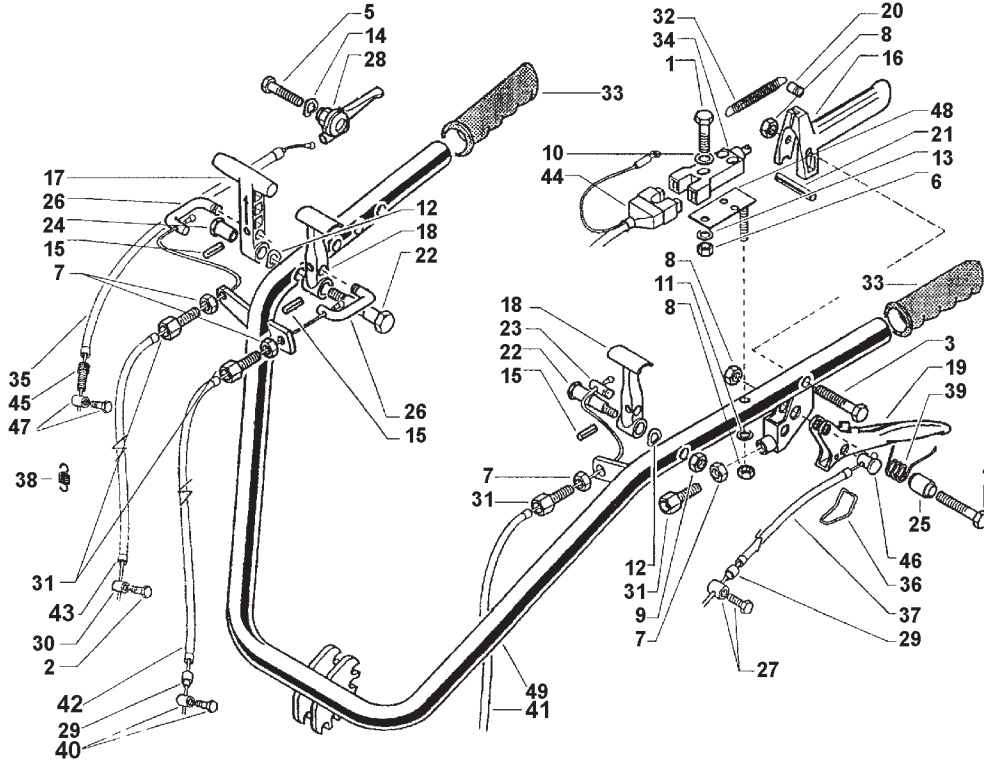
05.00



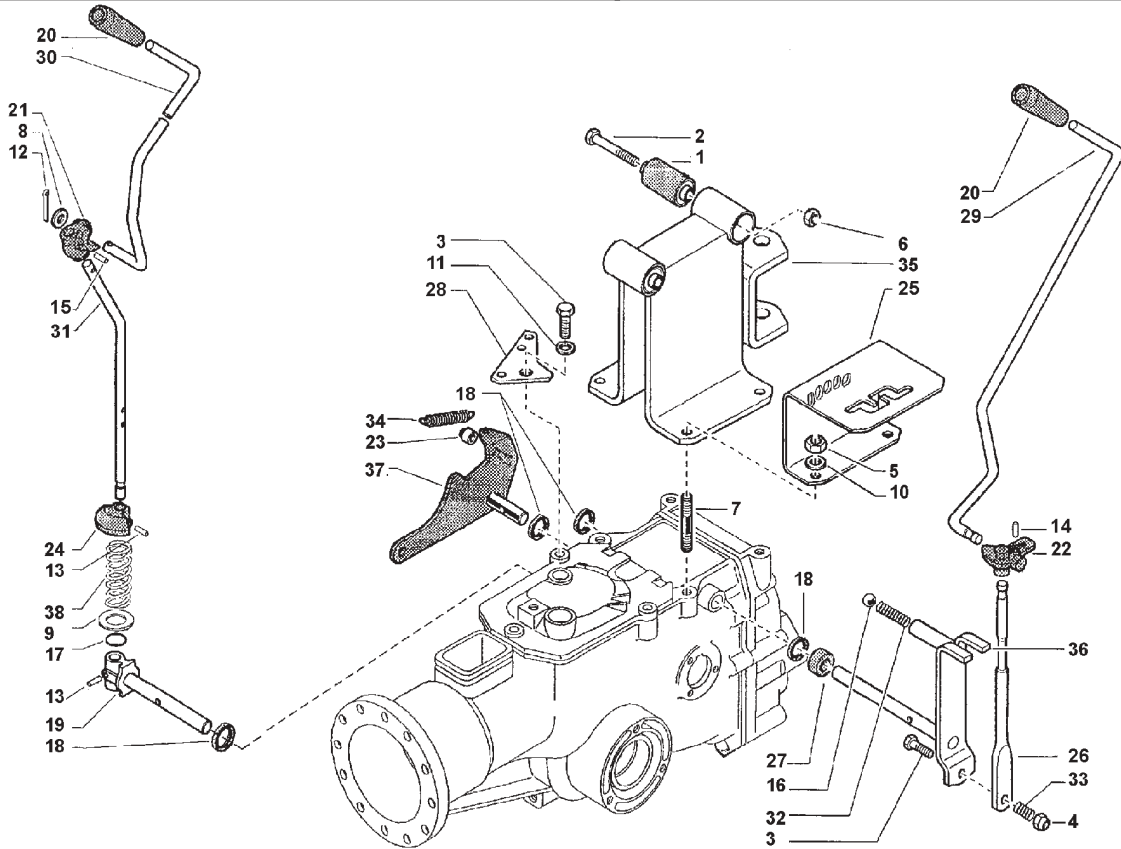
ID	PART NO	QTY	DESCRIPTION	ID	PART NO	QTY	DESCRIPTION
1	311.12150		BOLT M8X30	16	524.48182		COUPLING
2	312.11100		NUT M10	17	532.43851		HUB FOR HALF AXLE
3	312.41080		SELF LOCKING NUT M8	18	561.43865		RING
4	313.12080		STUD M8X46	19	561.43880		RELEASE LEVER
5	313.12102		STUD M10X40	20	561.43883		CABLE BRACKET DIFFERENTIAL
6	314.11084		FLAT WASHER	21	564.43857		DIFFERENTIAL SPACER
7	314.23084		LOCK WASHER	22	564.43871		ROD
8	314.23105		WASHER	23	580.02429		CABLE CLAMP
9	351.11047		INTERNAL SNAP RING D 47	24	580.42167		SHEATH ENDS
10	371.11202		BEARING 20X52X15	25	580.43855		GASKET
11	371.11253		BEARING 25X47X12	26	580.43874		SPRING
12	381.11400		O-RING	27	580.43881		SPRING
13	382.13002		SEAL M30X40X7	28	592.48175		DIFFERENTIAL COMPLETE
14	524.43852		HALF AXLE RH				
15	524.43853		HALF AXLE LH				



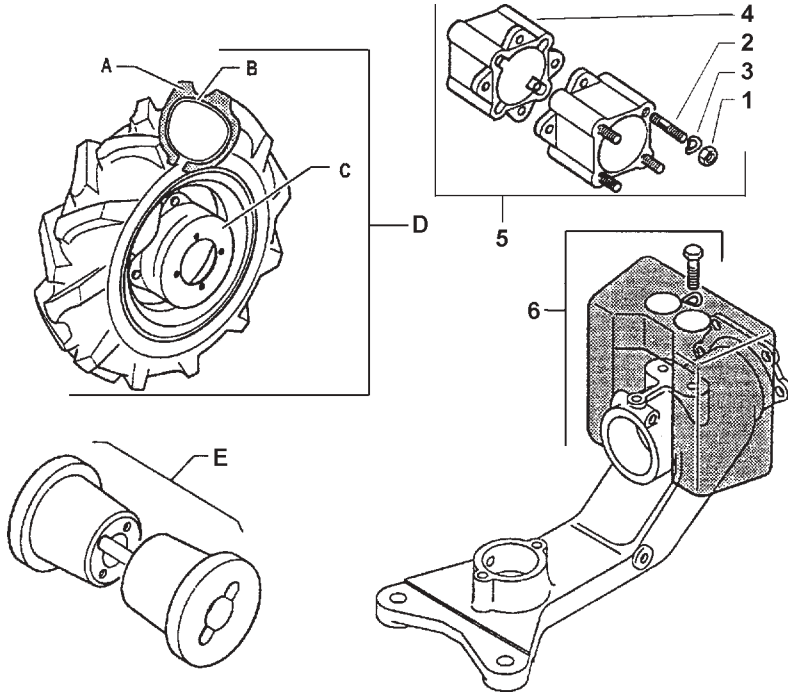
ID	PART NO	QTY	DESCRIPTION	ID	PART NO	QTY	DESCRIPTION
1	311.11229		CAP SCREW M10X110	16	580.42167		SHEATH END
2	311.12153		CAP SCREW M8X35	17	580.56918		SPRING, STEERING COLUMN
3	311.12293		CAPSCREW M12X80	18	580.56942		HANDLEBAR RELEASE SPRING
4	312.41080		LOCK NUT, M8	19	580.56991		SUPPORT CAP
5	312.41100		LOCK NUT, M10	20	590.56912		STEERING COLUMN
6	312.41126		LOCK NUT M12 DEFORMED	21	590.56935		LEVER, HANDLEBAR SELECTION
7	314.21100		SPRING	22	590.56952		SUPPORT
8	314.23084		WASHER LOCK B 8.4				
9	521.56917		WEDGE				
10	551.02714		KNOB				
11	552.43340		SUPPORT, CONTROL ROD				
12	552.49668		CABLE GUIDE				
13	561.56940		U BOLT				
14	561.56948		BRACKET				
15	563.56924		CAP				



ID	PART NO	QTY	DESCRIPTION	ID	PART NO	QTY	DESCRIPTION
1	311.11086		CAP SCREW, M4X25	26	561.57332		PIN, REVERSE CABLE
2	311.11091		CAP SCREW, M6X14	27	580.02429		CLAMP, CABLE
3	311.11097		CAP SCREW, TE M6X14	28	580.02538		LEVER, ACCELERATOR
4	311.12089		CAP SCREW, M6X25	29	580.42167		SHEATH END
5	311.12153		CAP SCREW, M8X35	30	580.42200		PIN, CABLE CLAMP
6	312.11040		NUT, M4	31	580.42202		SCREW, M8 ADJUSTING
7	312.11080		NUT, M8	32	580.47712		SPRING
8	312.41060		LOCK NUT, M6	33	580.48000		GRIP
9	312.41080		LOCK NUT, M8	34	580.48009		SAFETY INTERLOCK
10	314.11043		WASHER, FLAT M4.3X19	35	580.48012		CABLE
11	314.11064		WASHER, FLAT M6X12.5	36	580.51670		STOP WIRE
12	314.11084		WASHER, FLAT M8.4X17	37	580.53035		CABLE
13	314.23043		WASHER, LOCK M4.3	38	580.56155		SPRING
14	314.23084		WASHER, LOCK M8.4X17	39	580.56593		SPRING
15	342.13020		PIN, SPLIT, M4X20 SPIROL	40	580.57263		CABLE CLAMP
16	552.48041		LEVER, MOTOR STOP	41	580.57284		CABLE WITH SHEATH
17	552.48283		LEVER, REVERSER	42	580.57286		CABLE
18	552.48284		LEVER	43	580.57329		CABLE
19	561.47655		LEVER, CLUTCH	44	580.57401		WIRE HARNESS
20	561.47711		PIN, LATCH	45	581.47704		SCREW, M6 ADJUSTING
21	561.48037		PIN	46	581.50313		BARREL
22	561.48285		PIN	47	581.56156		CLAMP, CABLE
23	561.48286		PIN, DRILLED	48	590.47709		PLATE, INTERLOCK
24	561.48287		BUSHING	49	590.57116		HANDLEBAR COMPLETE
25	561.50361		SPACER, LEVER				

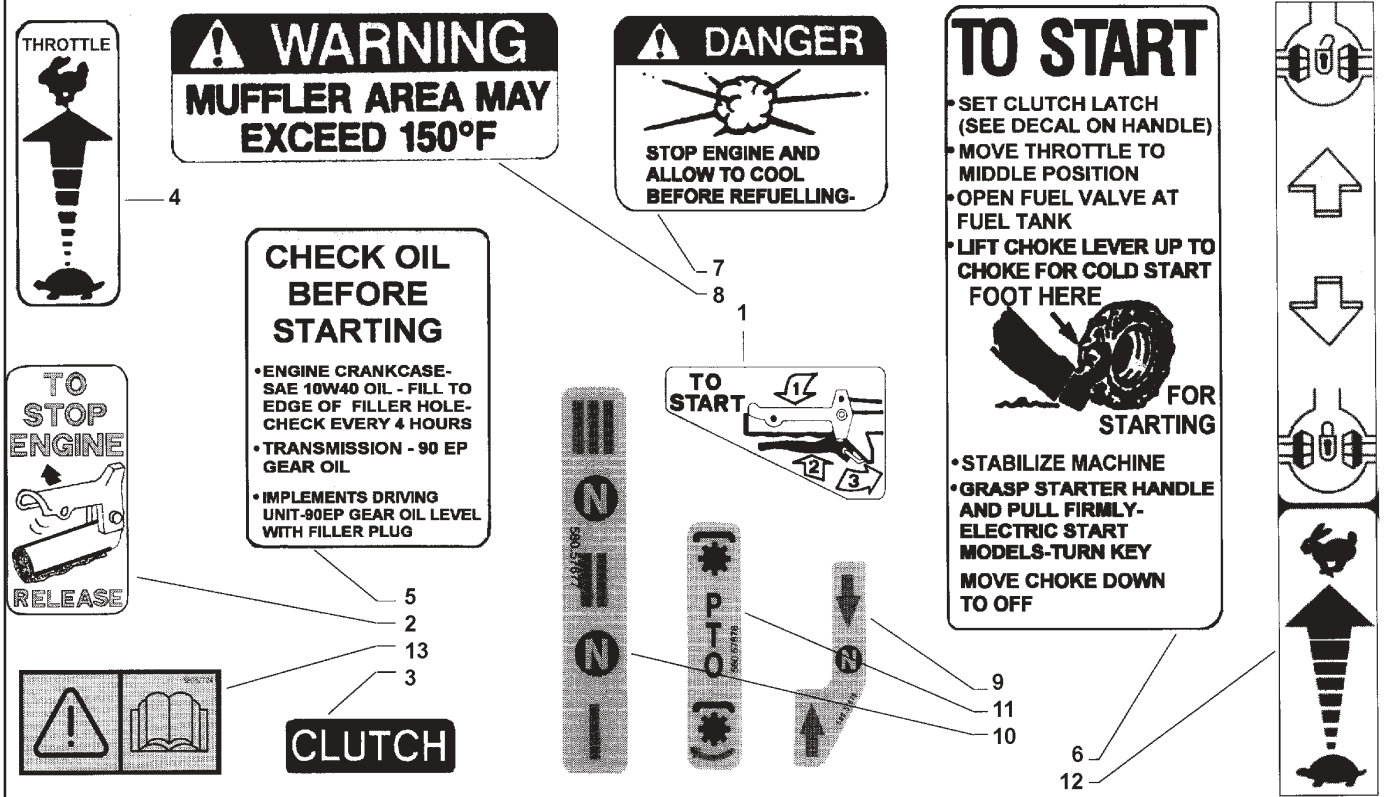


ID	PART NO	QTY	DESCRIPTION	ID	PART NO	QTY	DESCRIPTION
1	300.10142		SILENT BLOCK	21	552.48379		PTO ARTICULATOR
2	311.11217		CAP SCREW, M10X75	22	552.57249		SPEED ARTICULATOR
3	311.12152		CAP SCREW, M8X30	23	552.57313		PIN, PTO LOCKOUT
4	312.41080		LOCK NUT, M8	24	552.57321		PTO LOCKOUT
5	312.41085		LOCK NUT, M8 DEFORMED	25	561.57236		GEAR SELECTOR 3+2
6	312.41100		LOCK NUT, M10	26	561.57248		LEVER, SPEED CONTROL
7	313.12082		STUD, M8X35X14X20	27	561.57257		SPACER
8	314.11104		WASHER, FLAT M10.5X8	28	561.57274		REVERSE BRACKET
9	314.14130		WASHER, FLAT M13	29	561.57311		ROD, SPEED
10	314.21083		WASHER, SUPER M8	30	561.57312		ROD, PTO
11	314.23084		WASHER, LOCK M8.4 DIN13	31	561.57324		SHIFT ARM, PTO
12	341.10028		PIN, COTTER A 2X15	32	580.43176		SPRING
13	342.13020		PIN, SPLIT 4X20 SPIROL	33	580.57232		SPRING
14	342.13022		PIN, SPLIT 3X22 SPIROL	34	580.57273		SPRING
15	342.13024		PIN, SPLIT 4X24 SPIROL	35	590.56920		SUPPORT, HANDLEBAR
16	379.11532		BALL 15/32	36	590.57251		GEAR LEVER 3+2
17	381.11191		O-RING	37	590.57319		LEVER, PTO LOCKOUT
18	382.11400		OIL SEAL M14X22X4	38	F0831193010		SPRING
19	523.57250		PTO SHAFT				
20	551.42076		KNOB				



ID	PART NO	QTY	DESCRIPTION	ID	PART NO	QTY	DESCRIPTION
1	312.11100		NUT, M10	4	NSI		USE ITEM# 922.4385
2	313.12102		STUD, M10X40X24X12	5	922.43685	PAIR	WHEEL EXTENSIONS COMPLETE
3	314.23105		WASHER, M10.5	6	922.48923		SICKLE BAR WEIGHT 26LBS
A	391.13502		TIRE 3.50 - 8"	D	922.57775	PAIR	WHEELS COMPLETE 15 X 3.50 - 8"
	391.14008		TIRE 4.00 - 8"		922.43680	PAIR	WHEELS COMPLETE 16 X 4.00 - 8"
	391.14010		TIRE 4.00 - 10"		922.48332	PAIR	WHEELS COMPLETE 18 X 4.00 - 10"
	391.15010		TIRE 5.00 - 10"		922.48334	PAIR	WHEELS COMPLETE 19 X 5.00 - 10"
	391.15012		TIRE 5.00 - 12"		922.44806	PAIR	WHEELS COMPLETE 22 X 6.50 - 12"
	391.16018		TIRE 6.50 - 12"		922.44809	PAIR	WHEELS COMPLETE 22 X 5.00 - 12"
B	394.13502		TUBE 3.50 - 8"	E	922.43686	PAIR	WHEEL WEIGHTS 48 LBS 3.50-8 & 4.00-8
	394.14008		TUBE 4.00 - 8"		922.48715	PAIR	WHEEL WEIGHTS 66 LBS 4.0-10 & 5.0-10
	394.14010		TUBE 4.00 - 10"		922.48720	PAIR	WHEEL WEIGHTS 150LBS 5.00-12 & 6.00-12
	394.15010		TUBE 5.00 - 10"				
	394.15012		TUBE 5.00 - 12"				
	394.16018		TUBE 6.50 - 12"				
C	580.43250		RIM 3.50 - 8" & 4.00 - 8"				
	580.48330		RIM 4.00 - 10" & 5.00 - 10"				
	580.44804		RIM 5.00 - 12" & 6.50 - 12"				

**NSI - Not serviced
individually**



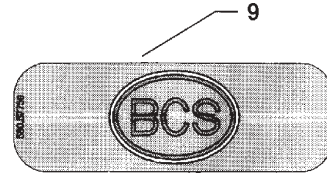
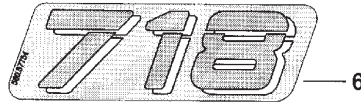
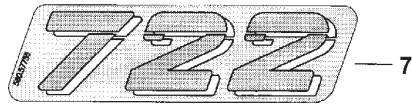
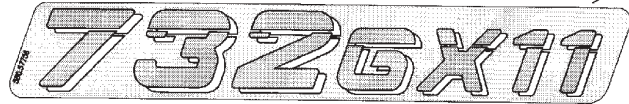
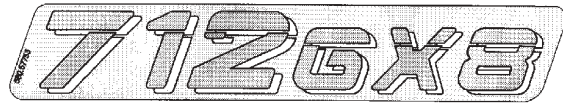
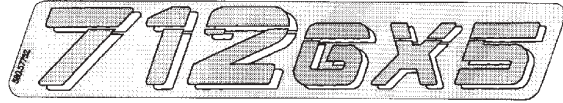
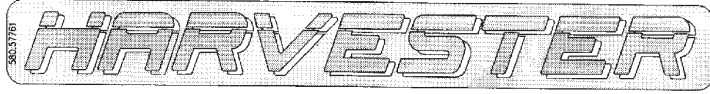
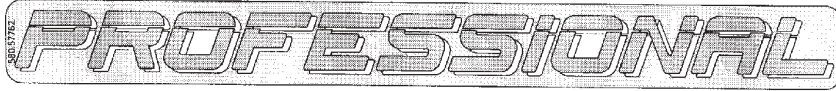
ID	PART NO	QTY	DESCRIPTION	ID	PART NO	QTY	DESCRIPTION
1	580.47950		DECAL, TO START	11	580.57678		DECAL, PTO
2	580.47951		DECAL, ENGINE STOP	12	580.57688		DECAL, DIFFERENTIAL & THROTTLE
3	580.47952		DECAL, CLUTCH	13	580.57724		DECAL, READ OPERATORS MANUAL
4	580.47953		DECAL, THROTTLE				
5	580.47959		DECAL, CHECK OIL				
6	580.47960		DECAL, TO START				
7	580.47961		DECAL, DANGER				
8	580.47962		DECAL, WARNING				
9	580.57676		DECAL, NEUTRAL				
10	580.57677		DECAL, GEAR				

732

Decals, Logos & Unit Identification

Serial Number Range ALL

11.00



ID	PART NO	QTY	DESCRIPTION	ID	PART NO	QTY	DESCRIPTION
1	530.48656		DECAL, BCS LOGO	11	580.57762		DECAL, PROFESSIONAL
2	580.57681		DECAL, 710				
3	580.57692		DECAL, GARDENER				
4	580.57752		DECAL, 712GX5				
5	580.57753		DECAL, 712GX8				
6	580.57754		DECAL, 718				
7	580.57755		DECAL, 722				
8	580.57756		DECAL, 732GX11				
9	580.57759		DECAL, BCS LOGO				
10	580.57761		DECAL, HARVESTER				